

Block-form flow regulator as an intermediate plate between the control valve and actuator acc. to the G 1/4 NAMUR standard.

3/2-way flow regulators:

Independent regulation of the forward and return strokes of a single-acting pneumatic actuator.

5/2-way flow regulators:

Regulation of the forward and return strokes of a double-acting pneumatic actuator.

| | |
|----------------------------|---|
| Medium: | Air, neutral gases, filtered |
| Operating temperature: | -20 °C to +70 °C |
| Working pressure: | 0.5 to 10.0 bar |
| Housing: | Anodised aluminium |
| Sealant: | NBR |
| Included with the product: | 1 coding pin (not for 551.42), 2 O-rings, 2 fixing screws |



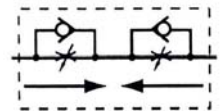
551.51



551.52

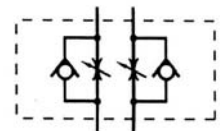
Flow regulators for NAMUR valves

| Art. No. | Ident No. | Function | Operation | DN | Flow rate l/min | Weight |
|----------|-----------|----------|---------------|----|-----------------|--------|
| 551.41 | 103663 | 3-way | Knurled screw | 5 | 650 | 0.2 kg |
| 551.42 | 103664 | 3-way | Screwdriver | 5 | 650 | 0.2 kg |

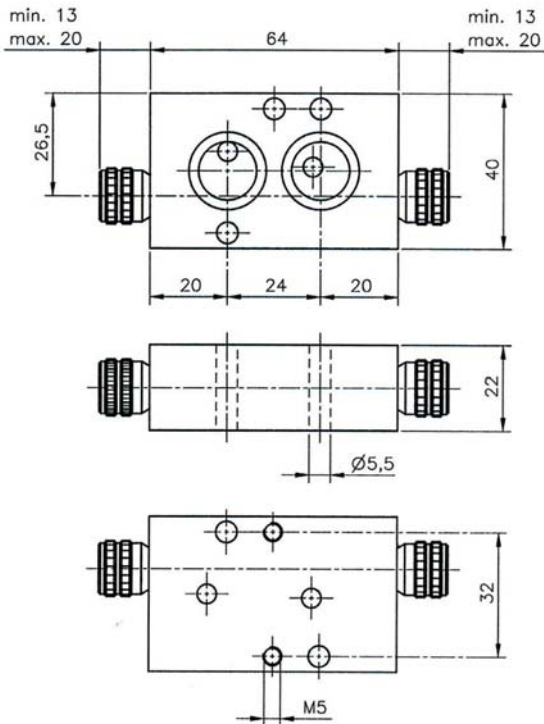


Flow regulators for NAMUR valves

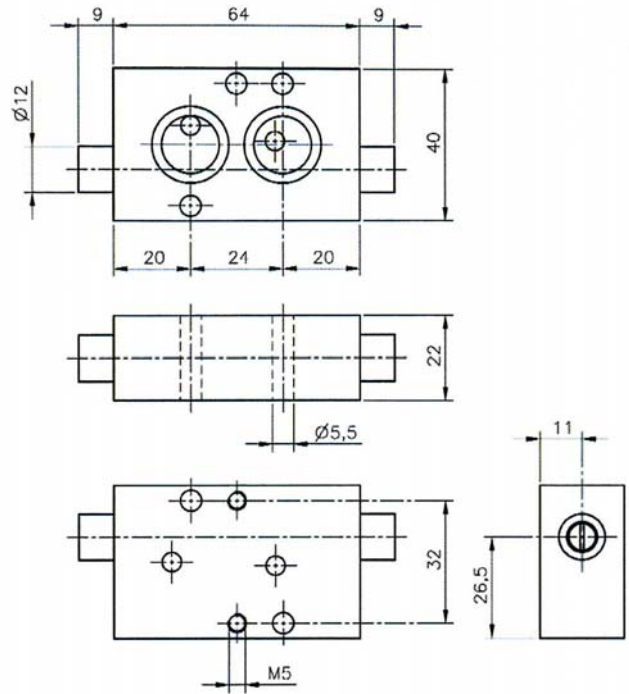
| Art. No. | Ident No. | Function | Operation | DN | Flow rate l/min | Weight |
|----------|-----------|----------|---------------|----|-----------------|--------|
| 551.51 | 103665 | 5-way | Knurled screw | 5 | 650 | 0.2 kg |
| 551.52 | 103666 | 5-way | Screwdriver | 5 | 650 | 0.2 kg |



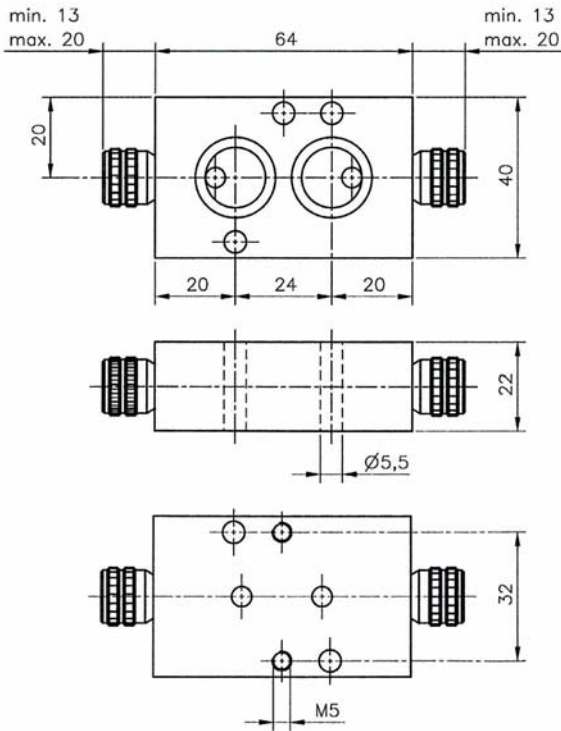
Dimension:



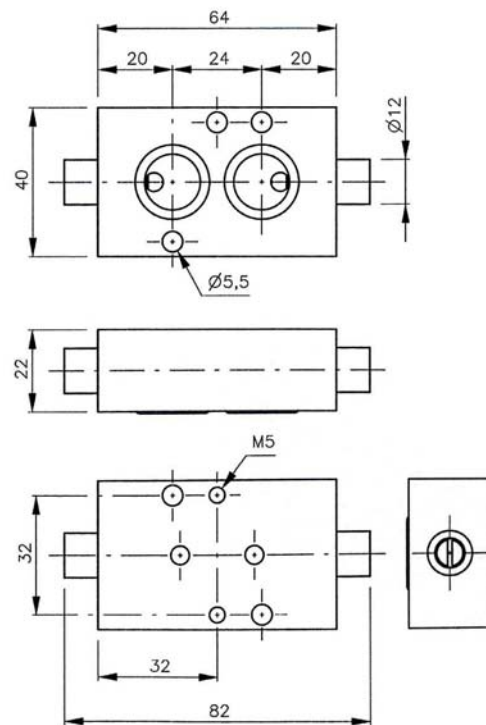
Art. No. 551.41



Art. No. 551.42



Art. No. 551.51



Art. No. 551.52